



MICRO GROWLIGHT GARDEN

REPLACING YOUR GROW LIGHT TUBE

The Grow Light Tube can last for up to 10,000 hours but there will come a time when it will need to be replaced. Simply refer to Step 2 of the assembly instructions to remove the old tube and replace with a new tube. As the light fixture will already be held in position under the curved hood, you may find it easier to replace the Grow Light Tube by placing the Grow Light Garden upside down on a flat surface.

PRACTICAL GROWING ADVICE

To grow successfully from seed, there are three key ingredients - food, light and water. Food and water can be supplied by you, while the Grow Light Garden provides the missing ingredient, thanks to the full spectrum light provided. The Grow Light Garden provides 6400 Kelvin light bringing the perfect balance of white, red, blue, green and yellow light for your plants. What is more, this is provided all year round, even during the dark winter months.

When you initially plant your seeds, the canopy can be positioned at its maximum height. Once the seedlings sprout, lower the base of the canopy to about 6cm from the sprouts. This keeps the seedlings short and stubby rather than long and skinny. As the plants continue to grow, keep moving the canopy, maintaining the distance of 6cm.

It is important to remember that darkness is part of the natural growing cycle for plants. Give your plants a rest by turning the lights off for a period of the day. Most vegetables, herbs and garden flowers are 'long day' plants requiring an average of 16 hours of light per day. 'Short day' plants requiring around 12 hours of light a day include azaleas, poinsettias, and begonias. Consider using an automatic timer or simply switch off your lights when you go to bed.

We recommend rotating the Growing Trays once a week as the light is more intense in the center of the unit than at each end. Clean the Grow Light Tubes as needed as dust can significantly reduce the light output. Be careful not to over water your plants, particularly when they are very young as this can lead to 'damping off' and can kill seedlings. It is better to water little and often. Once plants develop and become established, they will benefit from the addition of a liquid fertilizer. For dosage rates, please refer to the user instructions provided by the manufacturer.

SAFETY ADVICE

- This product is designed for indoor use only
- Always turn off the power to the Micro Grow Light Garden when inserting, adjusting or removing the Light Tubes. If you insert a Light Tube when the power is on, it may trigger an automatic safety mechanism, resulting in the light shutting off. If this happens, turn the power off and make sure that the Light Tubes are fully seated in the ballasts. Wait for thirty seconds and then turn the power on again. This will reset the unit so that the lights operate normally.
- Use the power cord only with a properly grounded electrical outlet.
- If water is spilled near the power source, unplug the unit before you wipe up the water.
- Do not place objects on top of the Micro Grow Light Garden canopy.
- For on/off manual control of the lights, use the switch located on the power cord.



Thank you for purchasing the Micro Grow Light Garden! The product comprises a height adjustable light fixture which houses a full spectrum light tube` in the canopy.

You can use this product to raise 'cut and come again' salad leaves and herbs all year round, thanks to the ideal light conditions provided.

Keen gardeners can also get a 'head start' by raising early season seedlings for the garden or greenhouse. The four individual growing trays allow for easy succession planting.

Qty	Description
1	Curved canopy
1	Flat base tray
2	Self watering platform inserts
1	Capillary matting section
2	Aluminium square tube sections
2	Plastic plugs (for aluminium tube sections)
2	Height adjuster clamps with black nuts & thumbscrews
4	Growing trays
1	Power cord with on/off switch
1	Grow light (comprising ballast, tube and Nanotech reflector)
2	Fixing bolts
2	Nuts
2	Ballast clips

ASSEMBLY INSTRUCTIONS

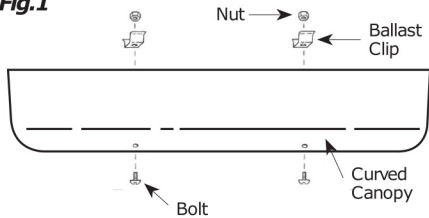
MICRO GROWLIGHT GARDEN

Assembly of this product should take in the region of 30 minutes. The only tools you will require will be a hammer, or preferably rubber mallet, and a crosshead screwdriver. Firstly please check the contents list on the previous page to ensure that you have all the required parts to complete the assembly.

Step 1 (refer to Fig. 1)

Place the curved canopy upside down on a flat surface. Take a fixing bolt and slot it through one of the holes of the canopy - the head of the bolt should be on same face as the oval branding badge. Slot a ballast clip over the exposed threaded section of the fixing bolt and secure it in place by threading a nut on to the bolt. Tighten so that the mounting clip is securely held in position against the exposed underside of the canopy. Repeat for the other mounting clip.

Fig.1



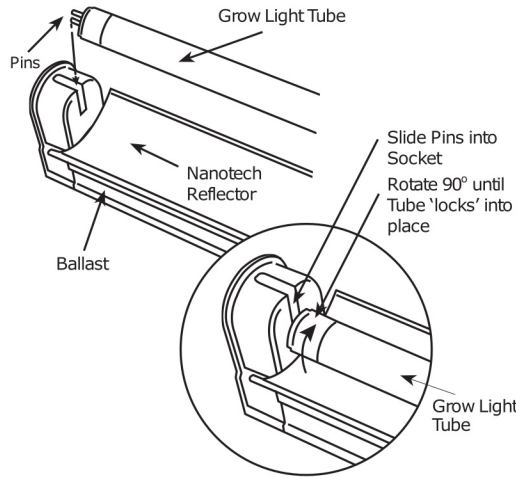
Step 2 (refer to Fig. 2)

Prior to use, you will need to remove the blue protective film from the Nanotech reflector on the Grow Light. First remove the Grow Light Tube from the ballast by rotating the tube through 90 degrees to unlock it from the ballast. Peel off the protective film on the Nanotech reflector and refit the Grow Light Tube by sliding the pins on the ends of the Grow Light Tube into the ballast sockets and then rotate through 90 degrees to lock into place.

Step 3

Before attempting to locate the Grow Light into position, connect the power cord into the exposed socket at one end of the light. Do not plug the power cord into the mains supply yet.

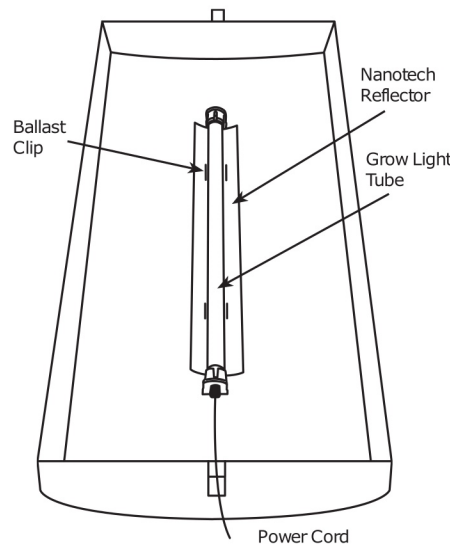
Fig.2



Step 4 (refer to Fig. 3)

Locate the Grow Light into position by pushing it into the ballast clips. Do not push directly on the light tube itself for fear of it breaking, rather exert the pressure on the ballast holding the tube.

Fig.3



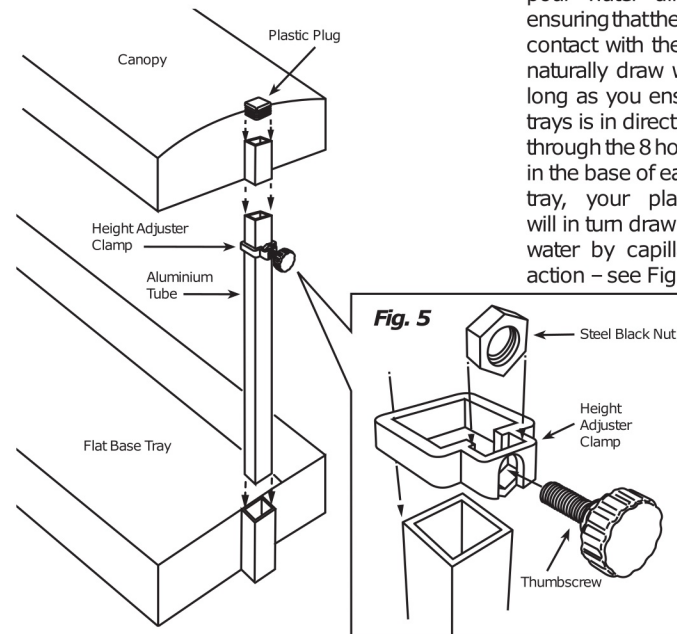
Step 5 (refer to Fig. 4)

Insert each of the aluminium tubes into the two slots in the flat base tray. Using a rubber mallet, force the tube into the slot to achieve a firm fix. If a rubber mallet is not available, use a regular hammer but cushion the impact on the end of the tube to prevent the tube profile from becoming damaged.

Step 6 (refer to Fig. 4 & 5)

Insert the supplied steel black nuts into each of the 2 Height Adjuster Clamps as shown. Slide each of the Height Adjuster Clamps over each of the exposed aluminium tubes and secure at the desired height using the thumbscrews. Be careful not to over tighten the thumbscrews - a soft grip is all that is required. Now slide the canopy section over the exposed tube sections until it is supported by the Height Adjuster Clamps. You can adjust the height of the canopy as required. Finally using the plastic plugs, cap each of the exposed tube sections.

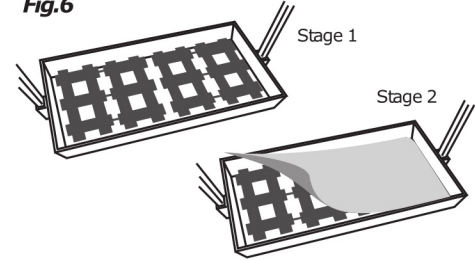
Fig. 4



Step 7

Connect the power cord to your electrical supply. The unit is now ready for use.

Fig.6



Step 8 (optional)

Place the 2 Self Watering Platform Insert mouldings inside the flat based tray of the Micro Grow Light Garden as shown in Fig 6. Cover with the Capillary Matting Section, dark side up, draping the excess over one end of the Self Watering Platform Inserts only. Place the 4 Growing Trays on top of the Capillary Matting. To 'self water' your plants, pour water directly into the flat based tray, ensuring that the excess capillary matting is in direct contact with the water. The capillary matting will naturally draw water across its entire length. As long as you ensure that the growing mix in your trays is in direct contact with the capillary matting your plants will in turn draw on water by capillary action - see Fig. 7.



Fig.7

Please note that use of the self watering inserts and capillary matting is optional and not essential to healthy plant development.